



Datenblatt - Fiche technique - Data sheet

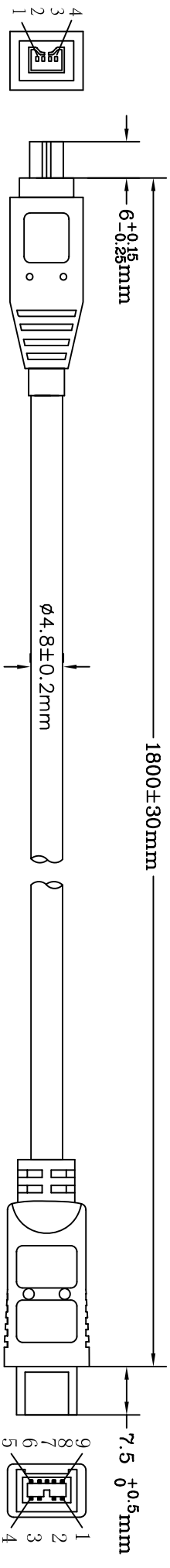
11.02.9718



ROLINE IEEE 1394b / IEEE 1394 Kabel, 9/4polig, 1,8 m

ROLINE Câble IEEE 1394b / IEEE 1394, 9/4pôles, 1,8 m

ROLINE IEEE1394b FireWire Cable, 9/4-pin, Type A-C, 1.8 m

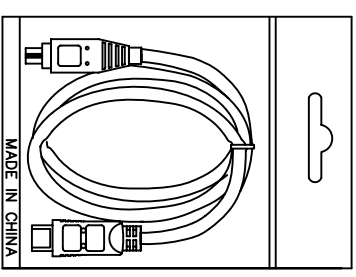
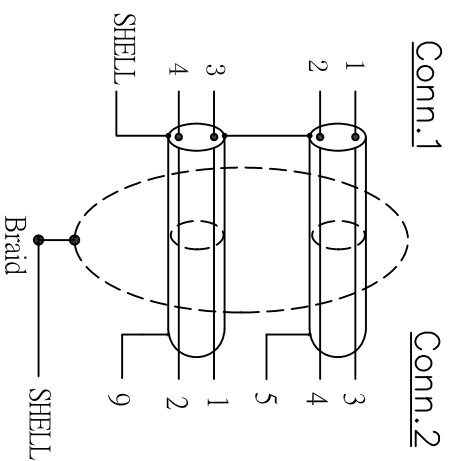


CONN.1 1394 4Male Molding

CONN.2 1394B 9 Male Molding

- NOTE:
1. CABLE: 30AWG,UL20379,AL+B-FOIL,2P AIR,800MHZ,BLACK COLOR,OD=4.8mm,PVC JACKET.
 2. LENGTH:1800mm
 3. CONNECTORS:IEEE1394 4P* 1,9P*1 (黑膠芯)
 4. MOLD:IEEE 1394 TYPE. (成型模)
 5. CONTACTS:
 6. OPEN/SHORT TEST: 100% TEST. INSULATION: MIN. 2M.

Pin Assignment



1PCS/PE BAG
+吊卡+条码贴纸包装

COMPANY	RLA	ITEM NO.	11.02.9718	編碼號	B4022	<p style="text-align: center;">SKYCABLE</p> <p style="text-align: center;">ENTERPRISE CO.,LTD</p>	SCALE	NON
REVISION	DATE	DISCRIPTION		DRAWN BY			UNITT (mm)	
				DESIGNED BY			DRAWING NO.	
				APPROVAL BY				